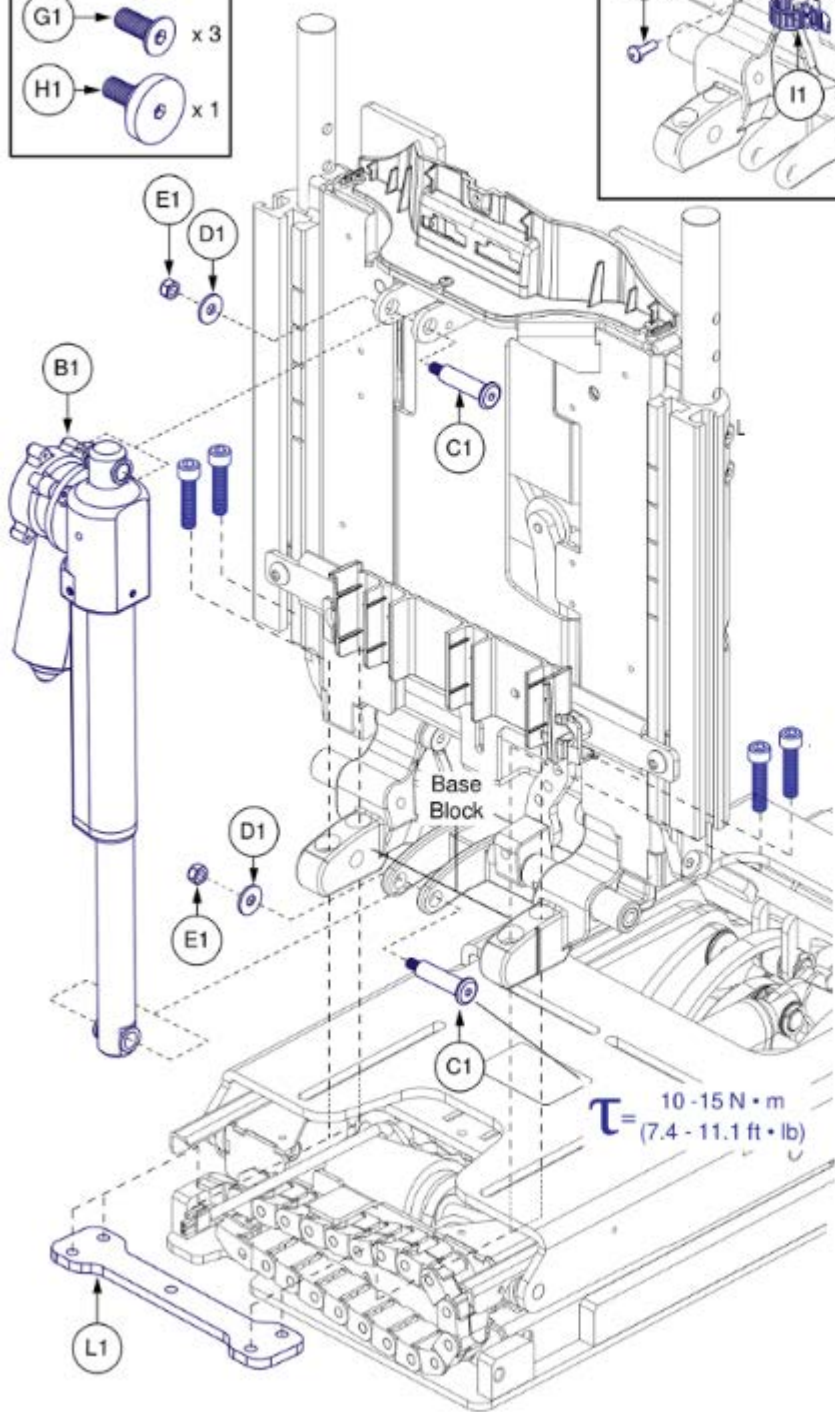
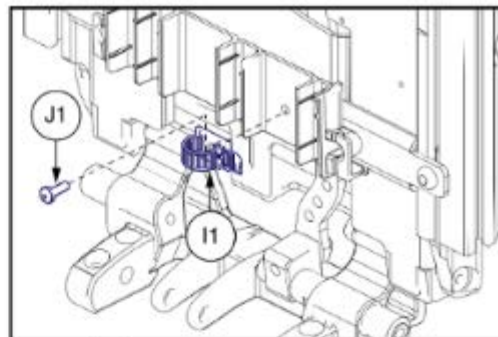
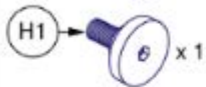


Back Pan  
Mounting Hardware



$T = 10 - 15 \text{ N} \cdot \text{m}$   
(7.4 - 11.1 ft · lb)